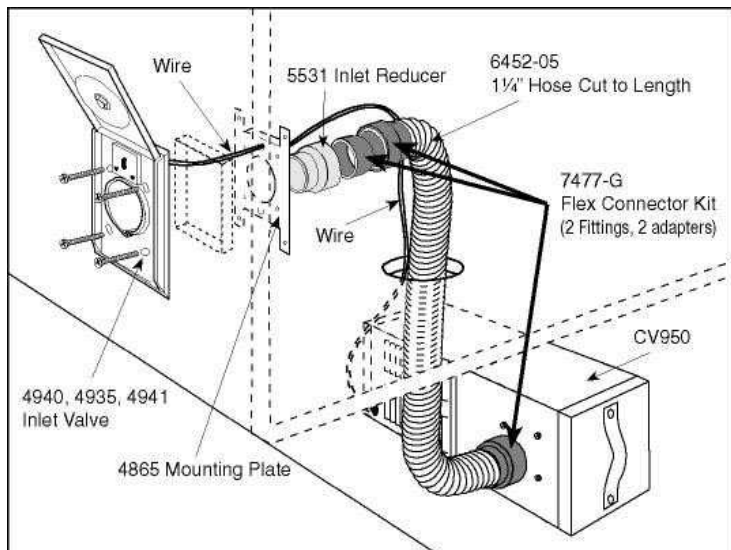
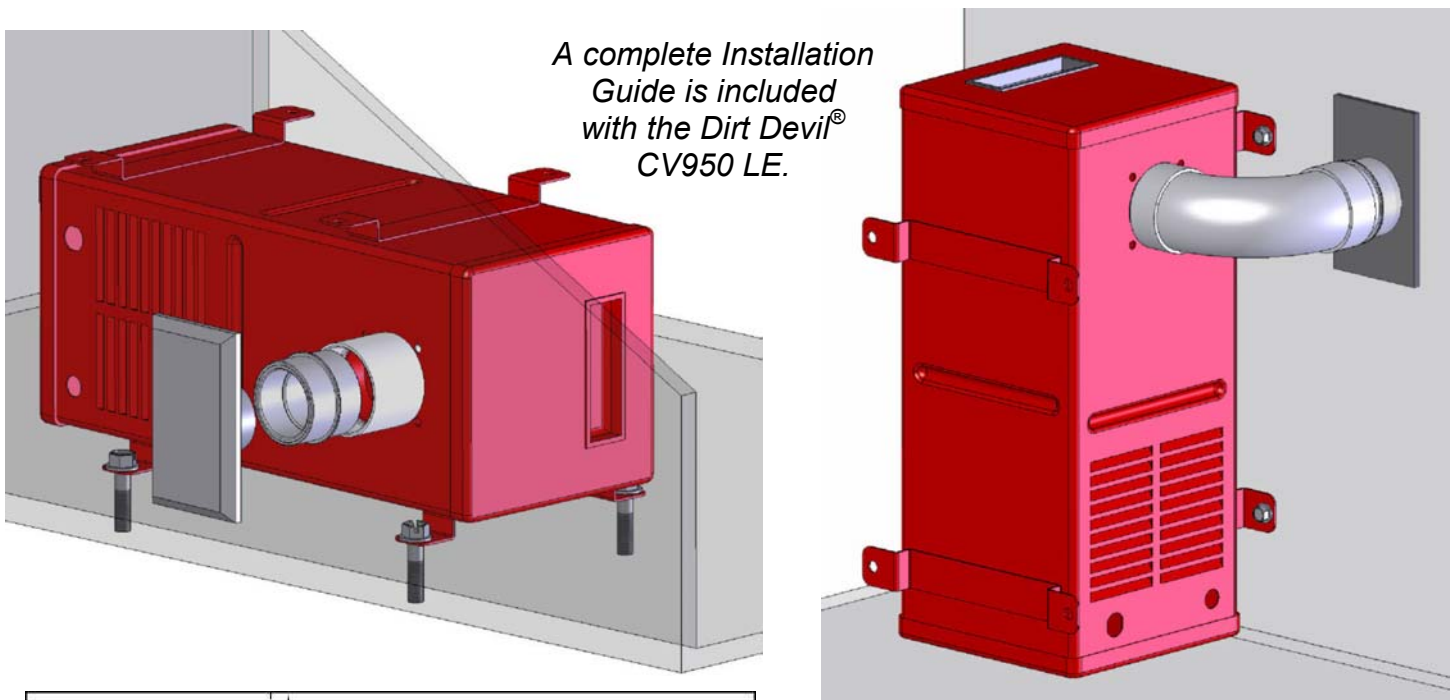


Quick and Easy Installation of Dirt Devil® CV950 LE Central Vacuums

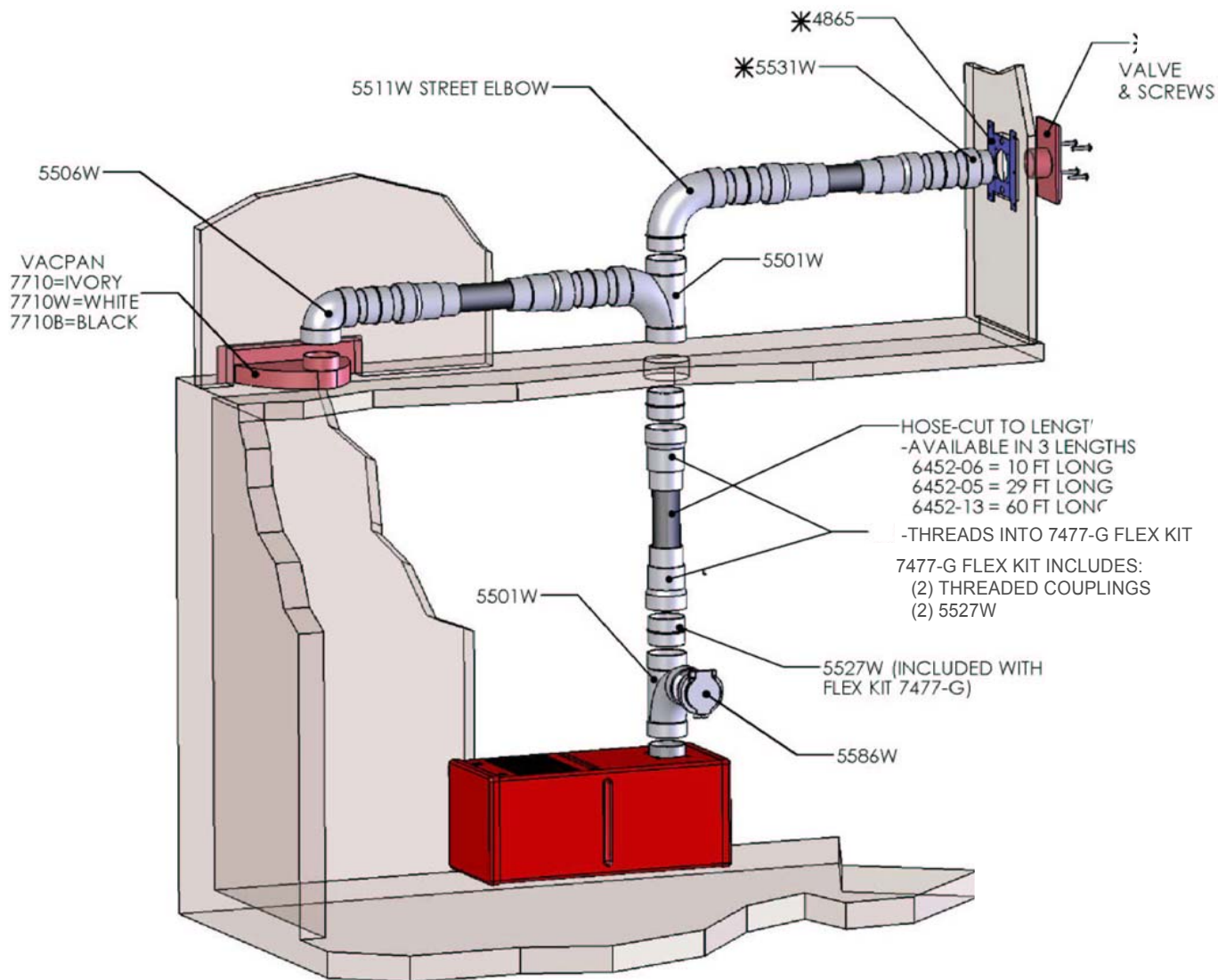
The compact (6.25" x 7" x 14.5"), lightweight (14 pounds), 120-volt CV950 LE power unit is quick and easy to install in a space as small as 10" x 20" – perfect for installing under seats, inside closets or in storage compartments. Using the mounting brackets already attached to either side of the power unit, the CV950 can be top or bottom mounted, and installed horizontally or vertically. The power unit and inlet valve can also be installed up to five feet apart using an optional Flex Connector Kit.



Above picture and illustration (at left) show installation using two hose adapters and only one spigot fitting from the optional Flex Kit.

Dirt Devil® CV950 LE Central Vacuum System Layout

* - INDICATES ITEMS INCLUDED WITH POWER UNIT.
 -(6FT) # 18-2 SOLID CONDUCTOR WIRE AND 2 WIRE NUTS ALSO INCLUDED WITH POWER UNIT.



ADDITIONAL ACCESSORIES

- 5149 - WIRE NUTS
- 5038 - PVC SOLVENT
- 5148-6 - (6FT) # 18-2 SOLID CONDUCTOR WIRE
- 5039 - (100FT SPOOL) # 18-2 SOLID CONDUCTOR WIRE.
- 5018 - VALVE STEM EXTENSION USED FOR THICK WALLS
- 5510 - 90° ELBOW (NOT STREET)

NOTES:

- 1) THIS PICTURE SHOWS A TYPICAL INSTALLATION. MANY DIFFERENT MOUNTING CONFIGURATIONS CAN BE ACHIEVED BY USING THESE STANDARD COMPONENTS.
- 2) RIGID PVC TUBING (P/N 6928) MAY BE USED IN PLACE OF FLEXIBLE HOSE 6452 AND 7477-G FLEX KIT